

# Pressure-Reducing-Valve, springloaded

for steam, gases and liquids

## Typ 74

### Standard version:

**Material:** Valve-body / media contact surfaces

**Typ 74.2: BG 0 - II** 1.4301, 1.4571 / 1.4571

**BG III - IIIB** 1.4571 / 1.4571

### Connections:

Screwed connection: DIN ISO 228 / ASME B1.20.1

### Sealings:

FPM, EPDM

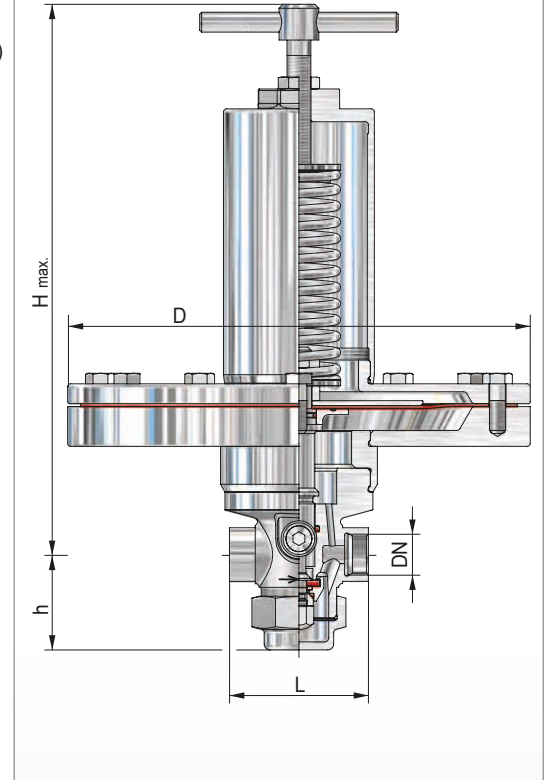
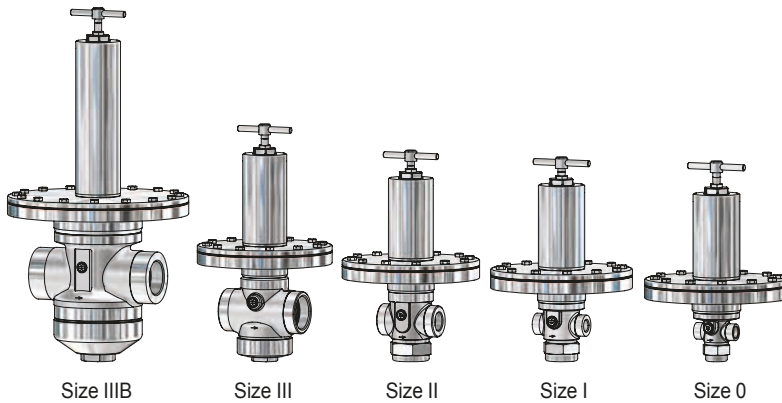
PTFE, EPDM (steam up to 150°C)

PTFE, AF100, EPDM (steam up to 200°C)

### Approvals:

**Pressure Equipment Directive:** 97/23/EG

Declaration of Conformity



Size	Inlet			Outlet			Dimensions							Kvs value [m³/h]	
	DN	G, NPT	Inlet pressure range P1 [bar(g)] max.	DN	G, NPT	Reduced pressure range P2 min. [bar(g)] max.	Height H max.			Diaphragm Ø = D					
							Toggle spindle [mm]	Cap [mm]	L [mm]	h [mm]	Design				
0	8	1/4	25	8	1/4	0,005 / 0,45	320	285	70	48	405	310	235	190	1,2
	10	3/8		2,0											
	15	1/2		2,2											
I	15	1/2	16	15	1/2	0,005 / 0,40	310	290	90	58	405	310	235	190	3,0
	20	3/4		3,2											
	25*	1*		3,5											
II	25	1	16	25	1	0,005 / 0,40	320	305	105	68	405	310	235	190	6,3
	32	1 1/4		6,5											
	40*	1 1/2*		6,7											
III	40	1 1/2	16	40	1 1/2	0,005 / 0,40	350	335	145	85	405	310	235	190	12,5
	50	2		13,0											
	65*	2 1/2*		13,5											
IIIB	50	2	16	50	2	0,005 / 0,30	535	465	220	145	405	310	235	190	27,5
	65	2 1/2		28,0											

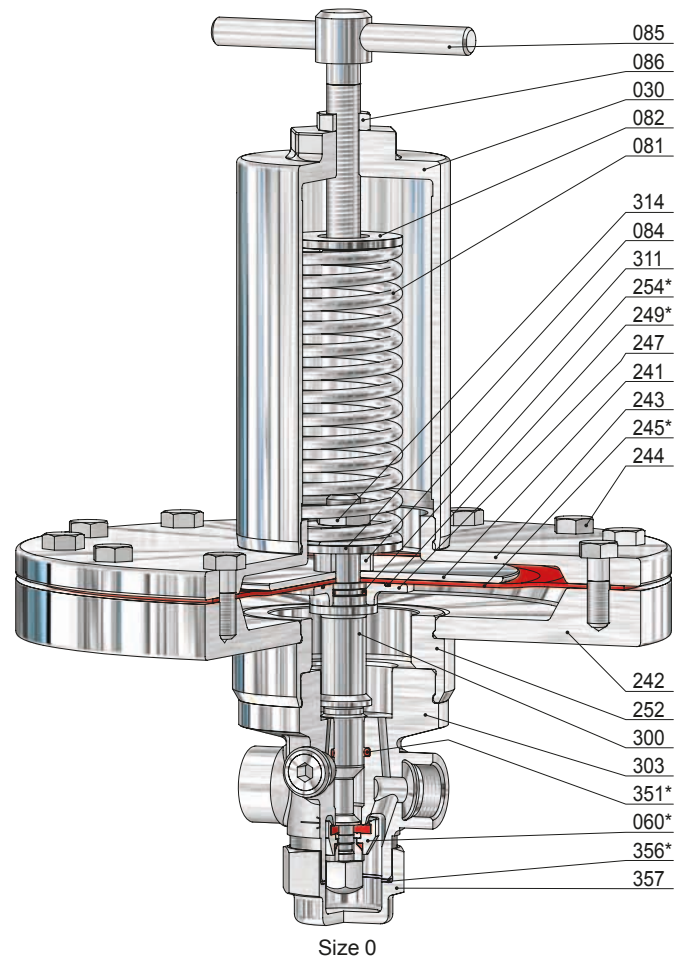
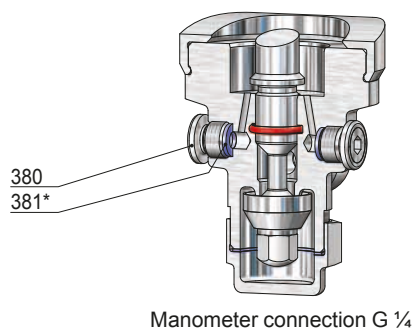
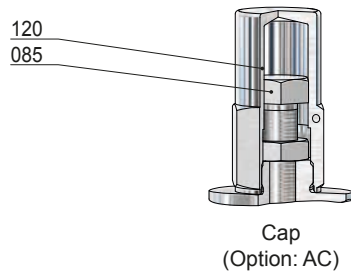
other design on request

\* special size

# Pressure-Reducing-Valve, springloaded

for steam, gases and liquids

## Typ 74



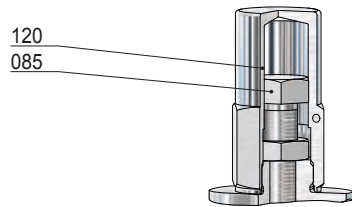
Item	Piece	Description	Item	Piece	Description
303	1	valve body	243	1	upper clamp plate
030	1	spring bonnet	244	12	screw (variable)
060 *	1	disc, complete	245 *	1	diaphragm
560	1	disc	247	1	lower clamp plate
061	1	pressure piece	249 *	1	o-ring
062	1	soft sealing	252	1	adapter
065	1	disc bolt	254 *	1	o-ring
071	1	o-ring	300	1	piston
072	1	locking ring	311	1	distance bush
073	1	o-ring (only for thermoplastics soft sealing)	314	1	lock nut
081	1	spring	351 *	1	o-ring
082	1	springplate, upper	356 *	1	sealing ring
084	1	springplate, lower	357	1	bottom plug
085	1	adjusting screw	380	2	screw plug
086	1	lock nut	381 *	2	sealing ring
120	1	cap			
241	1	upper housing			
242	1	lower housing			

\* expendable parts

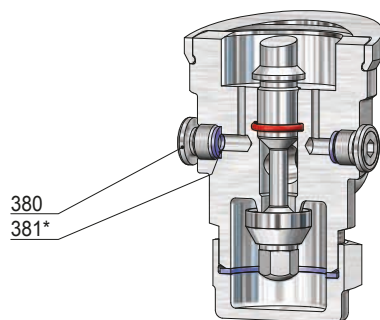
# Pressure-Reducing-Valve, springloaded

for steam, gases and liquids

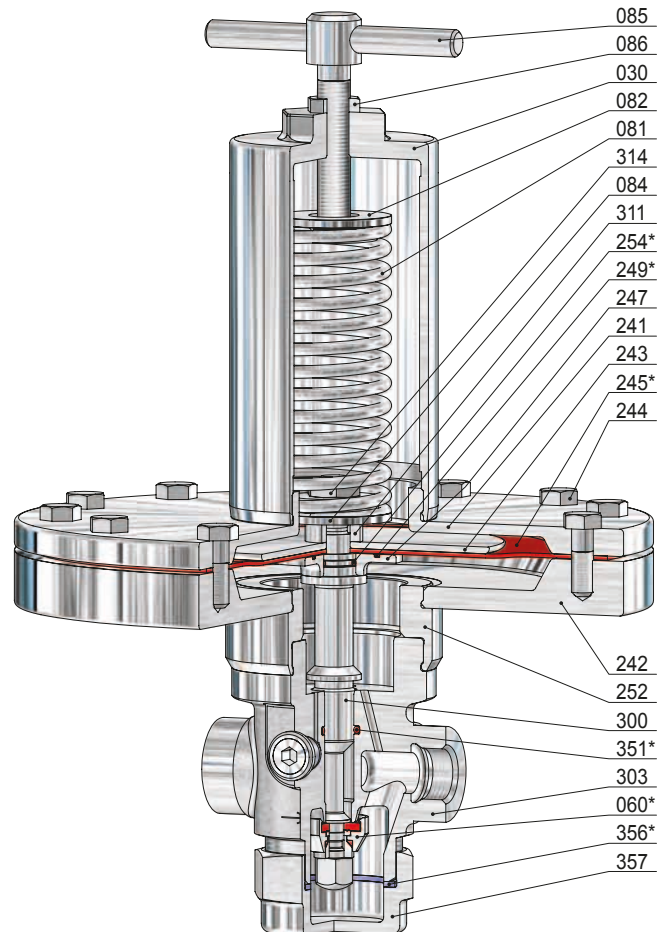
## Typ 74



Cap  
(Option: AC)



Manometer connection G ¼



Size I

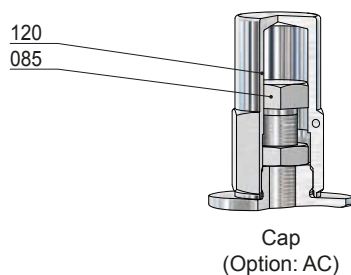
Item	Piece	Description	Item	Piece	Description
303	1	valve body	243	1	upper clamp plate
030	1	spring bonnet	244	12	screw (variable)
060 *	1	disc, complete	245 *	1	diaphragm
560	1	disc	247	1	lower clamp plate
061	1	pressure piece	249 *	1	o-ring
062	1	soft sealing	252	1	adapter
065	1	disc bolt	254 *	1	o-ring
071	1	o-ring	300	1	piston
072	1	locking ring	311	1	distance bush
073	1	o-ring (only for thermoplastics soft sealing)	314	1	lock nut
081	1	spring	351 *	1	o-ring
082	1	springplate, upper	356 *	1	sealing ring
084	1	springplate, lower	357	1	bottom plug
085	1	adjusting screw	380	2	screw plug
086	1	lock nut	381 *	2	sealing ring
120	1	cap			
241	1	upper housing			
242	1	lower housing			

\* expendable parts

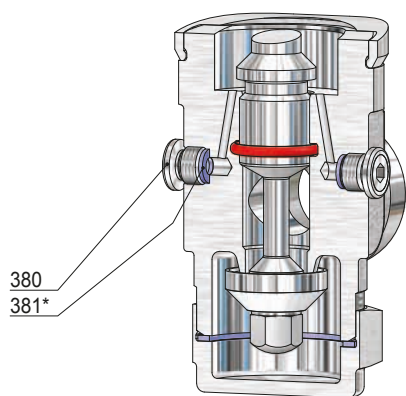
# Pressure-Reducing-Valve, springloaded

for steam, gases and liquids

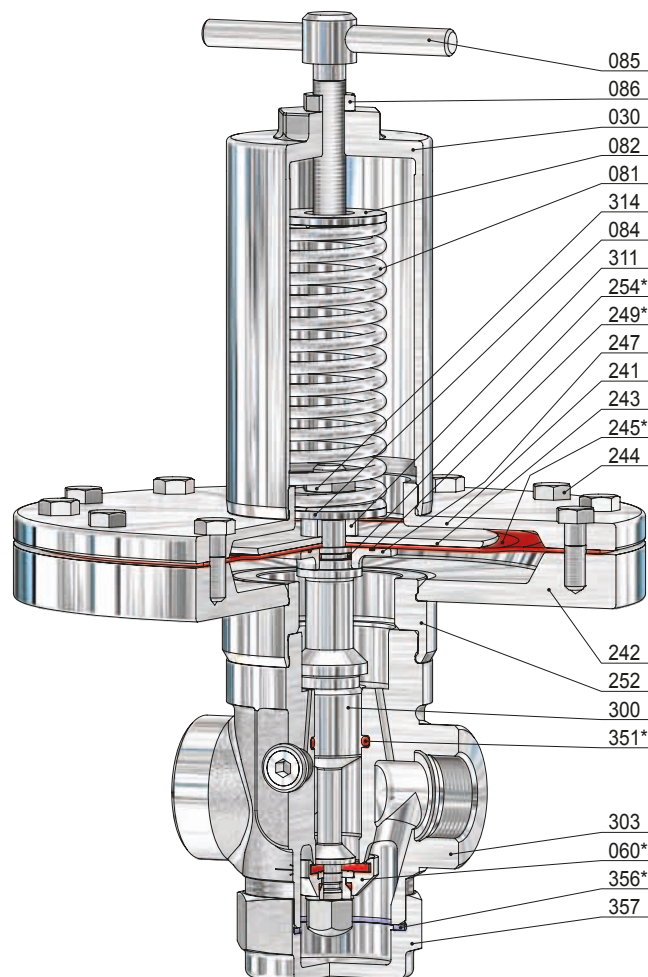
## Typ 74



Cap  
(Option: AC)



Manometer connection G 1/4



Size II

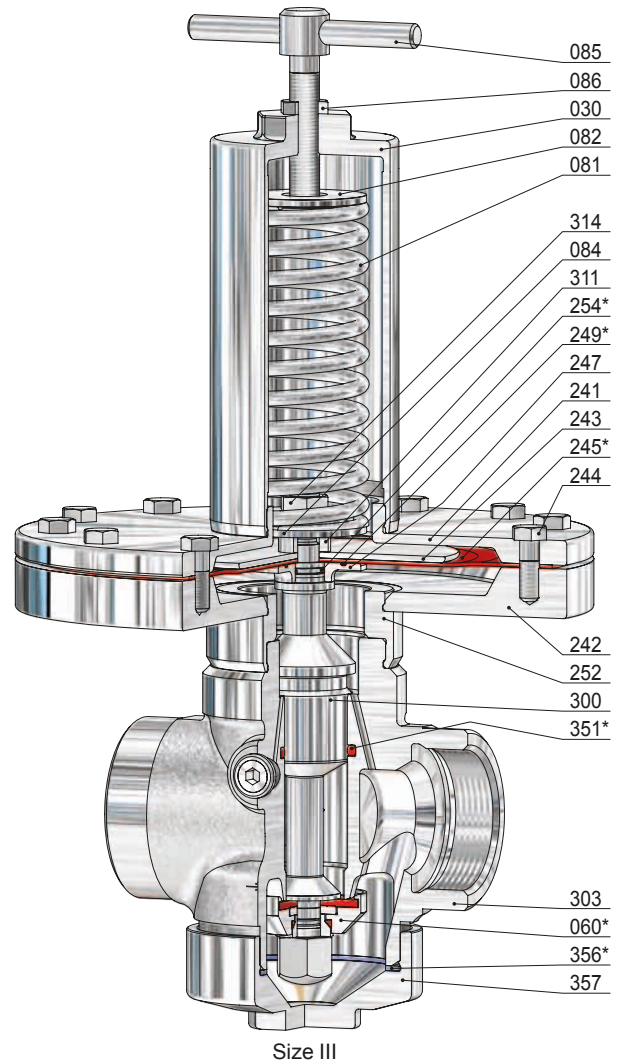
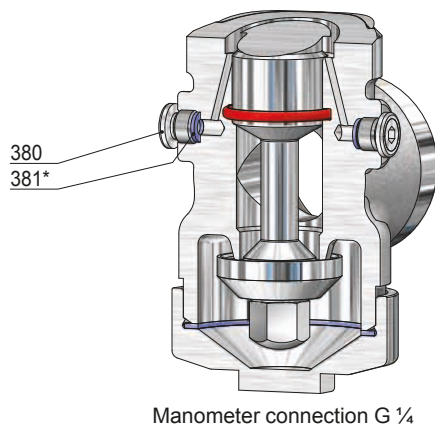
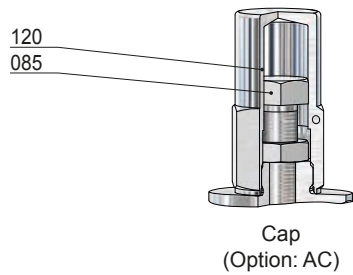
Item	Piece	Description	Item	Piece	Description
303	1	valve body	243	1	upper clamp plate
030	1	spring bonnet	244	12	screw (variable)
060 *	1	disc, complete	245 *	1	diaphragm
560	1	disc	247	1	lower clamp plate
061	1	pressure piece	249 *	1	o-ring
062	1	soft sealing	252	1	adapter
065	1	disc bolt	254 *	1	o-ring
071	1	o-ring	300	1	piston
072	1	locking ring	311	1	distance bush
073	1	o-ring (only for thermoplastics soft sealing)	314	1	lock nut
081	1	spring	351 *	1	o-ring
082	1	springplate, upper	356 *	1	sealing ring
084	1	springplate, lower	357	1	bottom plug
085	1	adjusting screw	380	2	screw plug
086	1	lock nut	381 *	2	sealing ring
120	1	cap			
241	1	upper housing			
242	1	lower housing			

\* expendable parts

# Pressure-Reducing-Valve, springloaded

for steam, gases and liquids

## Typ 74



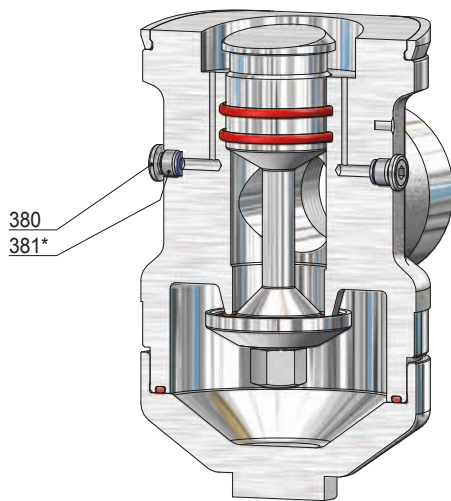
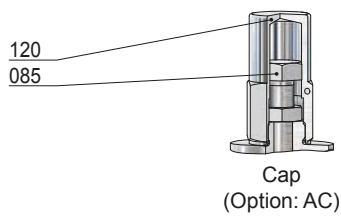
Item	Piece	Description	Item	Piece	Description
303	1	valve body	243	1	upper clamp plate
030	1	spring bonnet	244	12	screw <i>(variable)</i>
060 *	1	disc, complete	245 *	1	diaphragm
560	1	disc	247	1	lower clamp plate
061	1	pressure piece	249 *	1	o-ring
062	1	soft sealing	252	1	adapter
065	1	disc bolt	254 *	1	o-ring
071	1	o-ring	300	1	piston
072	1	locking ring	311	1	distance bush
073	1	o-ring <i>(only for thermoplastics soft sealing)</i>	314	1	lock nut
081	1	spring	351 *	1	o-ring
082	1	springplate, upper	356 *	1	sealing ring
084	1	springplate, lower	357	1	bottom plug
085	1	adjusting screw	380	2	screw plug
086	1	lock nut	381 *	2	sealing ring
120	1	cap			
241	1	upper housing			
242	1	lower housing			

\* expendable parts

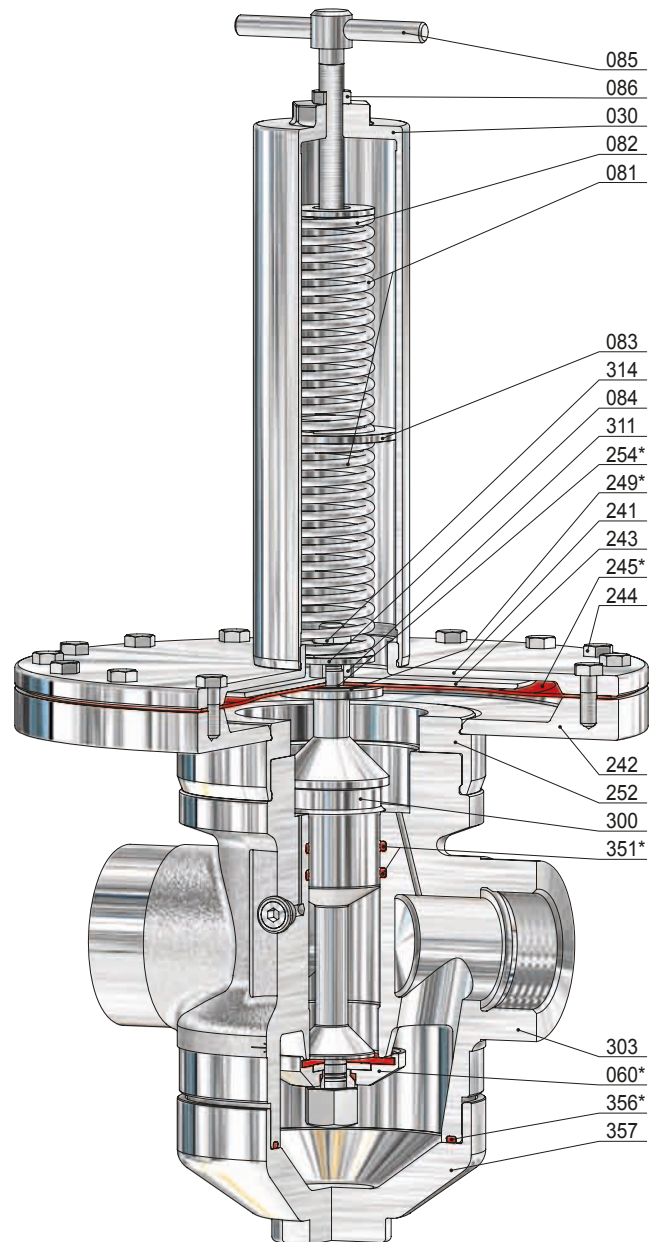
# Pressure-Reducing-Valve, springloaded

for steam, gases and liquids

## Typ 74



Manometer connection G ¼



Size IIIB

Item	Piece	Description	Item	Piece	Description	Item	Piece	Description
303	1	valve body	081	2	spring	252	1	adapter
030	1	spring bonnet	082	1	springplate, upper	254 *	1	o-ring
060 *	1	disc, complete	083	1	springplate, middle	300	1	piston
560	1	disc	084	1	springplate, lower	311	1	distance bush
061	1	pressure piece	085	1	adjusting screw	314	1	lock nut
062	1	soft sealing	086	1	lock nut	351 *	2	o-ring
065	1	disc bolt	120	1	cap	356 *	1	sealing ring
071	1	o-ring	241	1	upper housing	357	1	bottom plug
072	1	locking ring	242	1	lower housing	380	2	screw plug
073	1	o-ring (only for thermoplastics soft sealing)	243	1	upper clamp plate	381 *	2	sealing ring
			244	16	screw (variable)			
			245 *	1	diaphragm			
			249 *	1	o-ring			

\* expendable parts