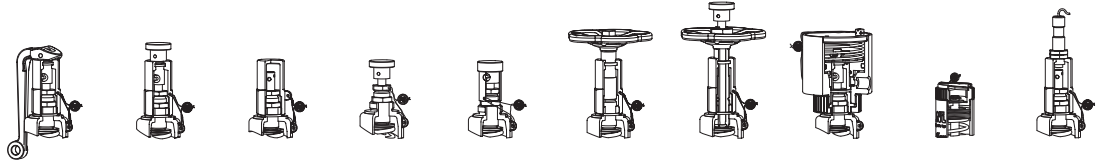
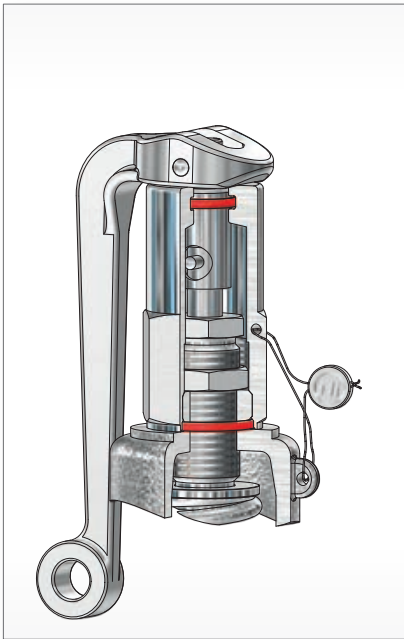


Typ	Baugröße	Kopf A	Kopf B	Kopf C	Kopf D	Kopf E	Kopf F	Kopf G	Kopf H	Kopf M	Kopf T
<i>Kataloggruppe 3</i>											
1	I	●	●	●	●	●	●	●	●		●
	II	●	●	●	●	●	●	●	●		●
5				●	●						
10	I	●	●	●					●		●
	II	●	●	●					●		●
14	I	●	●	●		●	●	●	●		●
18	I	●	●	●					●		●
	II	●	●	●					●		●
19	II	●	●	●					●		●
21 (E)		●		●							●
21 (S)		●		●							●
50				●							
140	I	●	●	●					●		●

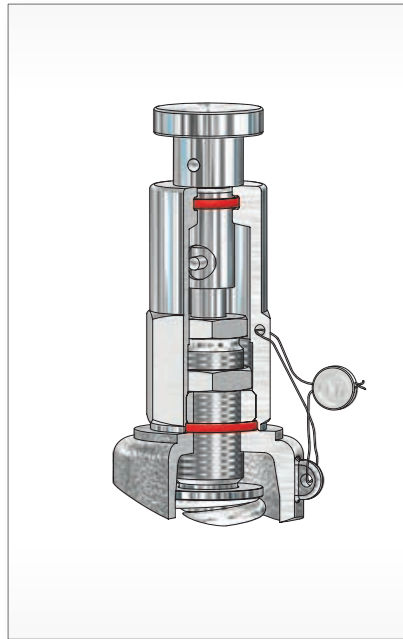
<i>Kataloggruppe 4</i>											
3	I	●	●	●			●	●	●		●
	II	●		●			●		●		●
	III	●		●			●		●		●
	IV	●		●			●		●		●
30	I	●		●					●		●
	II	●		●					●		●
	III	●		●					●		●
	IV	●		●					●		●
31	I	●		●					●		●
	II	●		●					●		●
	III	●		●					●		●
	IV	●		●					●		●
32	I	●		●					●		●
	II	●		●					●		●
	III	●		●					●		●
	IV	●		●					●		●
33	II	●		●					●		●
	III	●		●					●		●
	IV	●		●					●		●



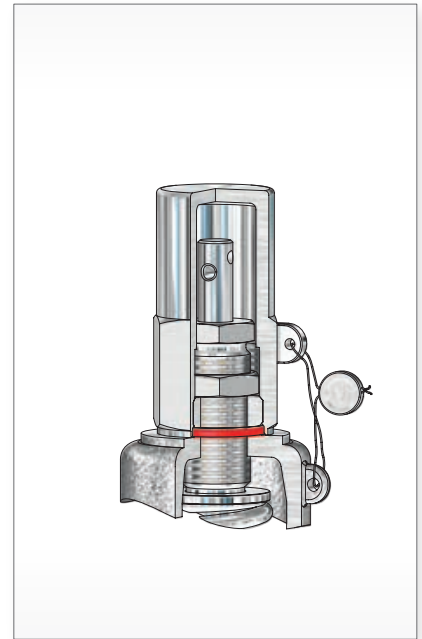
Typ	Baugröße	Kopf A	Kopf B	Kopf C	Kopf D	Kopf E	Kopf F	Kopf G	Kopf H	Kopf M	Kopf T
<i>Kataloggruppe 5</i>											
35 (E)	I	●	●	●			●		●		●
	II	●		●			●		●		●
	III	●		●			●		●		●
	IV	●		●			●		●		●
35 (S)	I	●	●	●					●		●
	III	●		●					●		●
<i>Kataloggruppe 6</i>											
6				●		●					
11	I									●	
	II									●	
62		●		●							
66										●	
67				●	●	●					
69										●	
98					●						
110	I									●	
	II									●	
<i>Kataloggruppe 7</i>											
7 (S)		●		●							
7 (E)		●		●							
12											
13	I	●		●			●				●
	II	●		●			●				●
	III	●		●			●				●
	IV	●		●			●				●
	V	●		●			●				●
22 (S)		●		●							●
22 (E)		●		●							●
24				●					●		



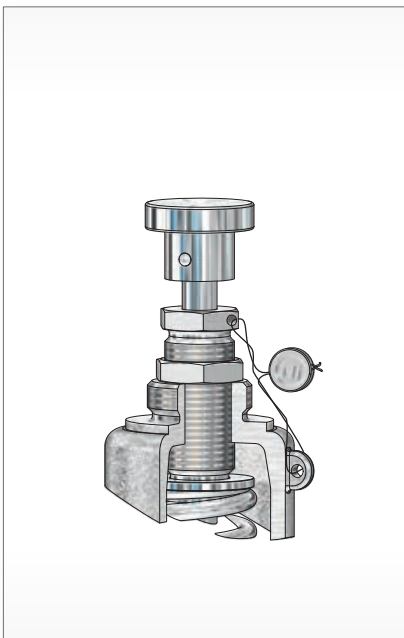
Kopf A
(gasdicht mit Lüftehebel)



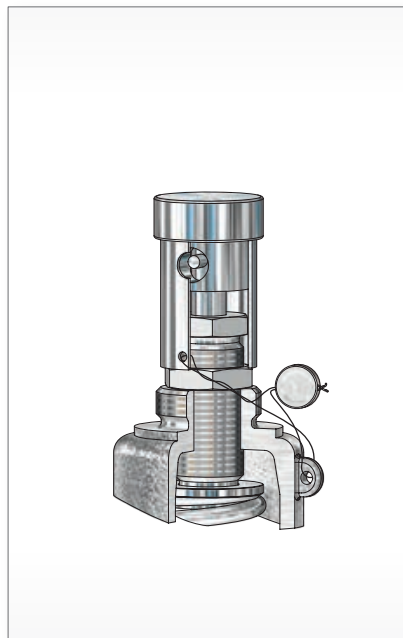
Kopf B
(gasdicht mit Lüfteknopf)



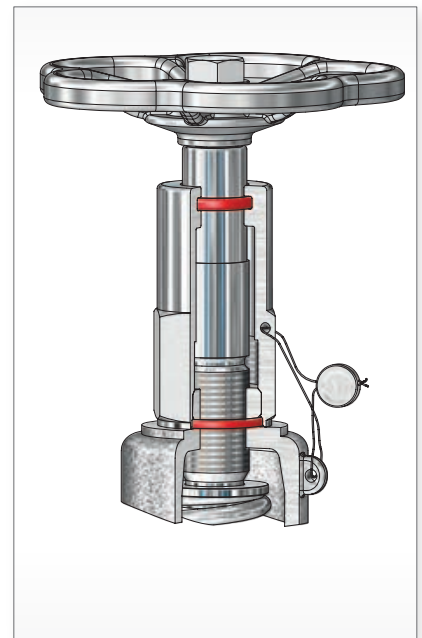
Kopf C
(gasdicht mit Kappe)



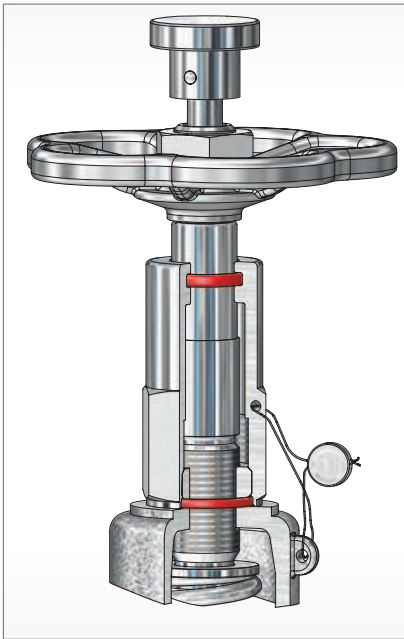
Kopf D
(mit Lüfteknopf)



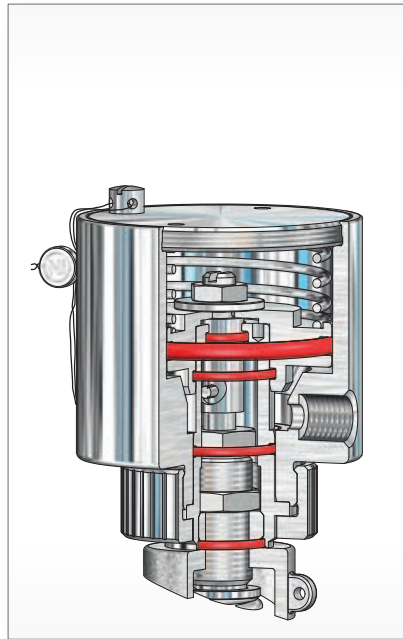
Kopf E
(mit gestütztem Lüfteknopf)



Kopf F
(gasdicht mit Handrad)



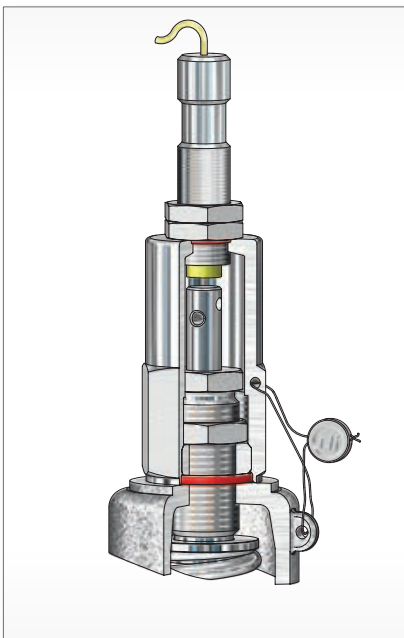
Kopf G
(gasdicht mit Handrad
und Lüfteknopf)



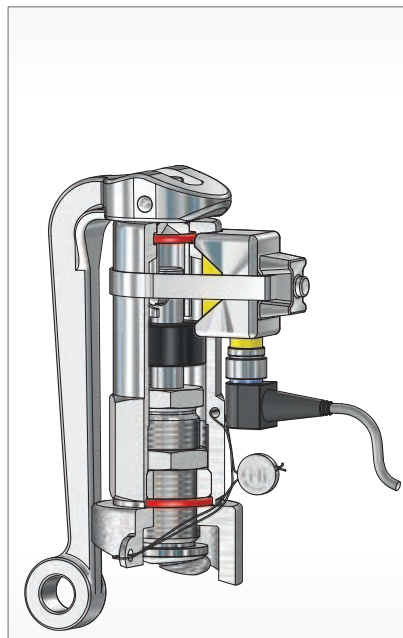
Kopf H
(mit pneumatischer Anlüftung)



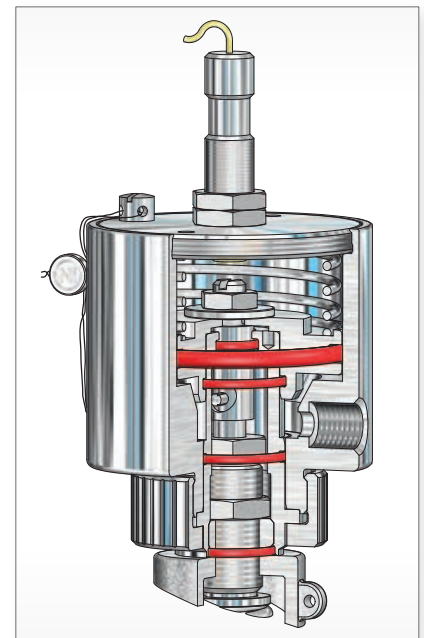
Kopf M
(mit manueller Anlüftung)



Kopf T
(Sensor)



Kopf AT
(Sensor)



Kopf HT
(Sensor)