

Vacuum and Pressure-Relief-Valve

for non-toxic steam and gases, for container and rigid coaxial cable

Typ 90

Standard version:

Temperature ranges

Material: Inlet body / Bonnet pipe
Typ 90.2: 1.4571 / 1.4301 -20°C to 140°C
Typ 90.3: 2.0401 / 2.0401

Connections: soft seated
 Screwed connection: DIN ISO 228 see techn. appendix: KWD-1

Approvals:

Pressure Equipment Directive: 97/23/EG
 Declaration of Conformity



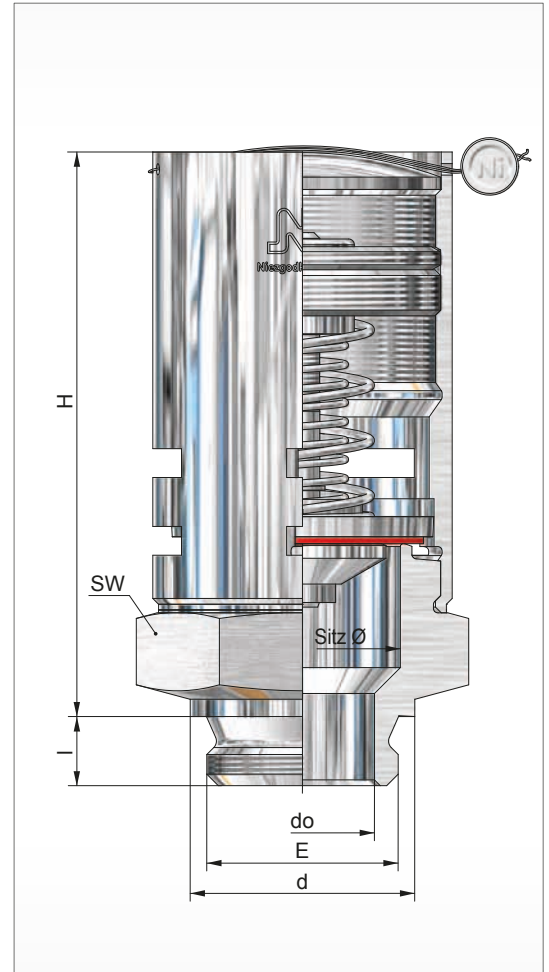
Size III



Size II



Size I



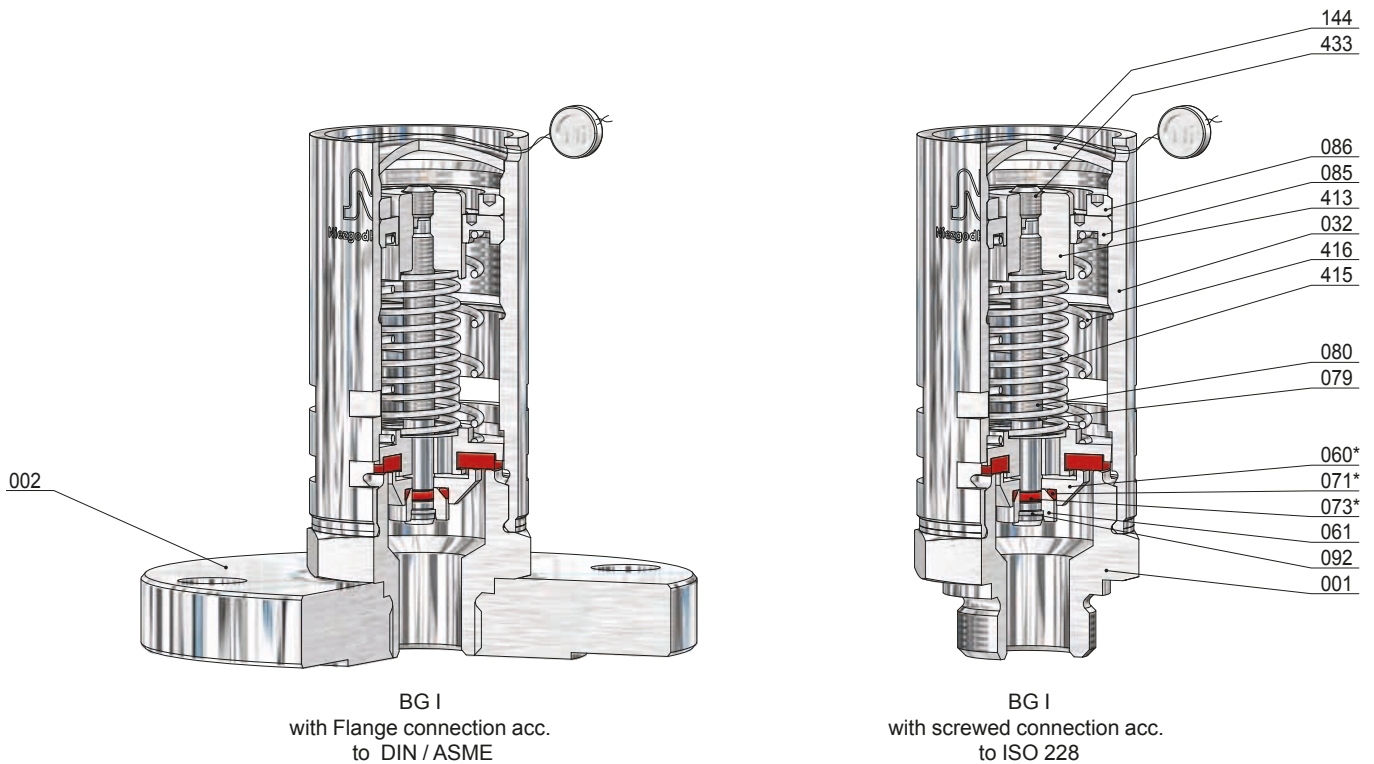
Size	Inlet			Outlet A	Dimensions			Height 'H'		Underpressure		Overpressure		Weight ~ [kg]											
	E	d	l (G)		SW	do	Sitz Ø	H	H	p U min.	p U max.	p Ü min.	p Ü max.												
		[mm]	[mm]		[mm]	[mm]	[mm]			[bar(g)]	[bar(g)]	[bar(g)]	[bar(g)]												
I	1/2	26	12	frei	41	13	28	88	-0,01	-0,90	0,05	3,5	0,32												
	3/4	32	12			18																			
II	1	39	12		50	25	34							94	-0,01	-0,90	0,04	4,0	0,41						
	1 1/4	49	14			32																			
III	1 1/2	55	16		70	38	52													106	-0,03	-0,95	0,10	3,5	0,73
	2	68	20			48																			

other design on request

Vacuum and Pressure-Relief-Valve

for non-toxic steam and gases, for container and rigid coaxial cable

Typ 90



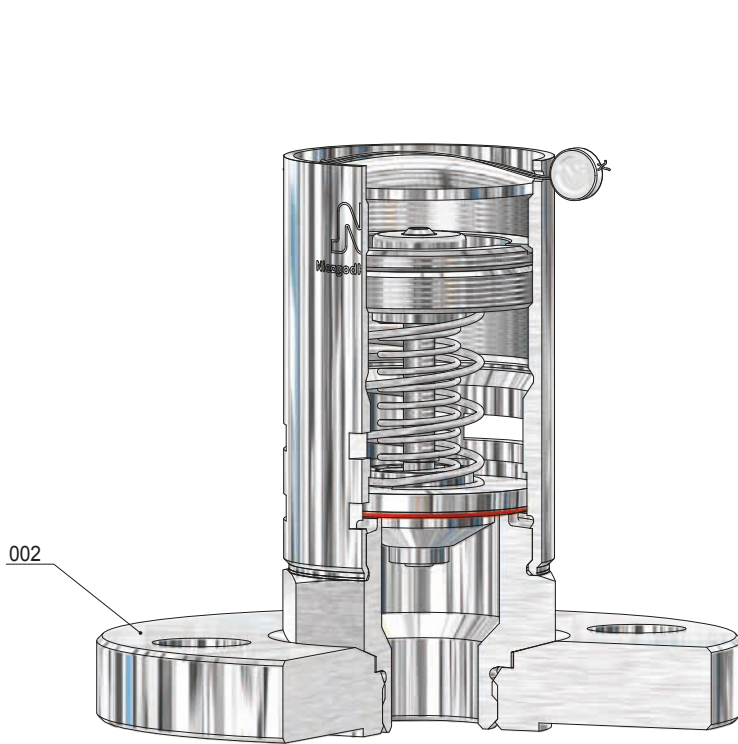
Item	Piece	Description	Item	Piece	Description
001	1	inlet body	085	1	adjusting screw
002	1	inlet flange	086	1	lock nut
032	1	bonnet pipe	092	1	lock ring
060 *	1	disc, complete	144	1	lock washer
062	1	soft sealing	413	1	guide plate
403	1	overpressure disc	415	1	underpressure spring
404	1	underpressure disc	416	1	overpressure spring
061	1	pressure piece	433	1	screwed pin
071 *	1	o-ring			
073 *	1	o-ring			
079	1	lift stopper			
080	1	spindle			

* expendable parts

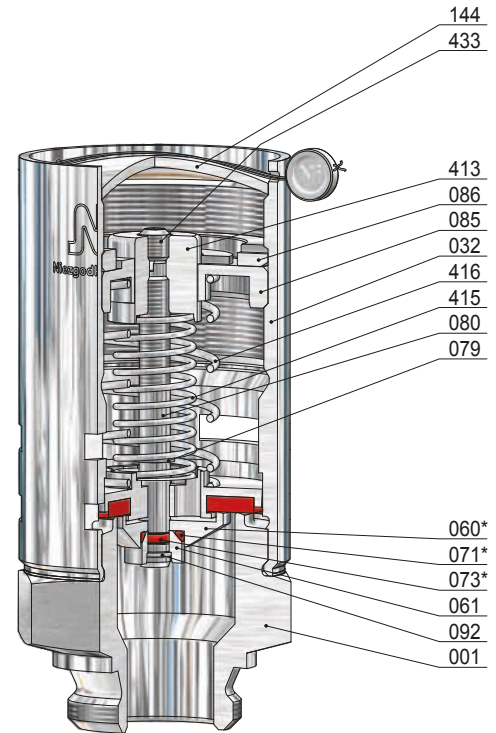
Vacuum and Pressure-Relief-Valve

for non-toxic steam and gases, for container and rigid coaxial cable

Typ 90



BG II
with Flange connection acc.
to DIN / ASME



BG II
with screwed connection acc.
to ISO 228

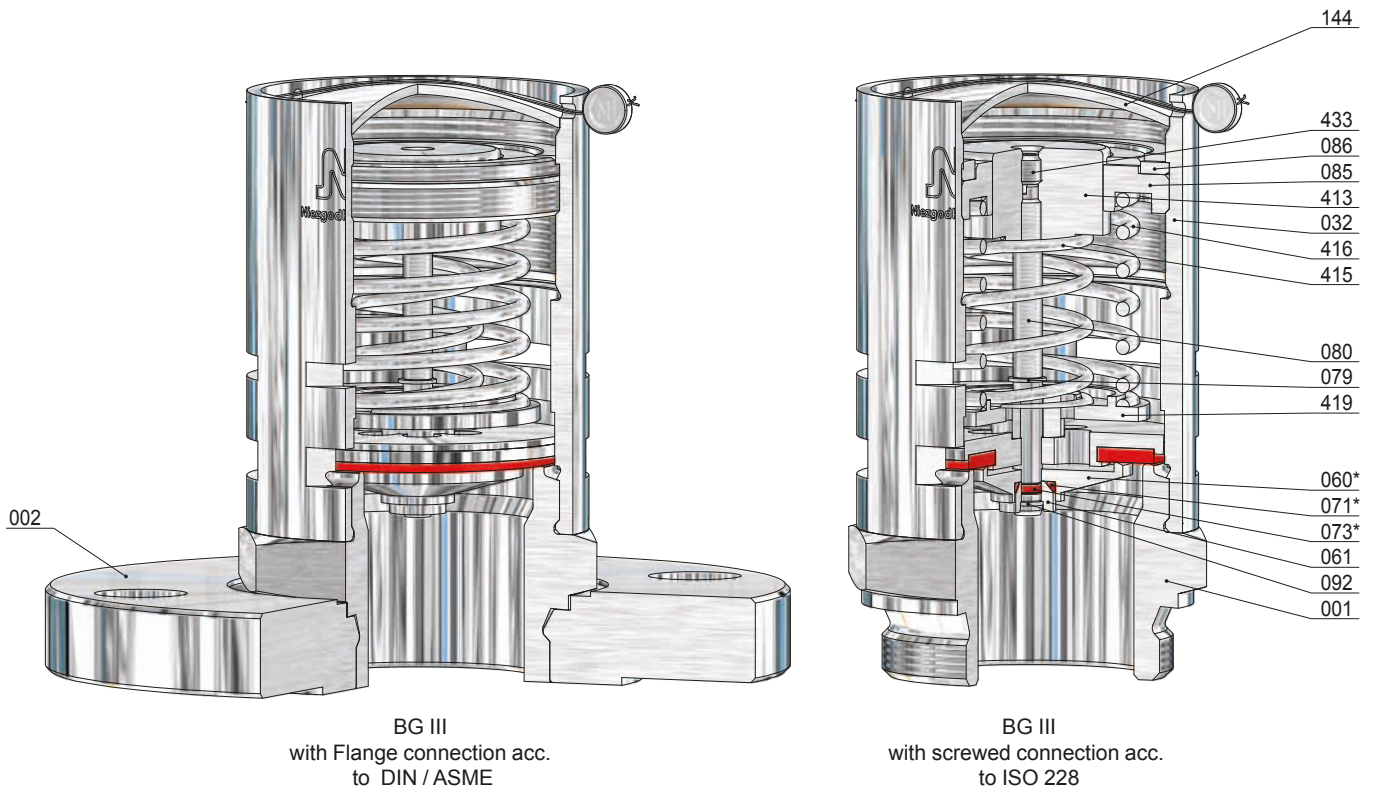
Item	Piece	Description	Item	Piece	Description
001	1	inlet body	085	1	adjusting screw
002	1	inlet flange	086	1	lock nut
032	1	bonnet pipe	092	1	lock ring
060 *	1	disc, complete	144	1	lock washer
062	1	soft sealing	413	1	guide plate
403	1	overpressure disc	415	1	underpressure spring
404	1	underpressure disc	416	1	overpressure spring
061	1	pressure piece	433	1	screwed pin
071 *	1	o-ring			
073 *	1	o-ring			
079	1	lift stopper			
080	1	spindle			

* expendable parts

Vacuum and Pressure-Relief-Valve

for non-toxic steam and gases, for container and rigid coaxial cable

Typ 90



BG III
with Flange connection acc.
to DIN / ASME

BG III
with screwed connection acc.
to ISO 228

Item	Piece	Description	Item	Piece	Description
001	1	inlet body	085	1	adjusting screw
002	1	inlet flange	086	1	lock nut
032	1	bonnet pipe	092	1	lock ring
060 *	1	disc, complete	144	1	lock washer
062	1	soft sealing	413	1	guide plate
403	1	overpressure disc	415	1	underpressure spring
404	1	underpressure disc	416	1	overpressure spring
061	1	pressure piece	419	1	lower spring carrier
071 *	1	o-ring	433	1	screwed pin
073 *	1	o-ring			
079	1	lift stopper			
080	1	spindle			

* expendable parts